



## Features & Benefits

- > High efficient solid-state LED light source
- > Efficient cooling design expels heat faster
- > 85% energy saving over 40W incandescent
- > Long lifespan and lower maintenance cost
- > Instant-on & no warm-up time
- > No humming noise
- > No Ultraviolet and infrared (IR)
- > Mercury free; Eco-friendly

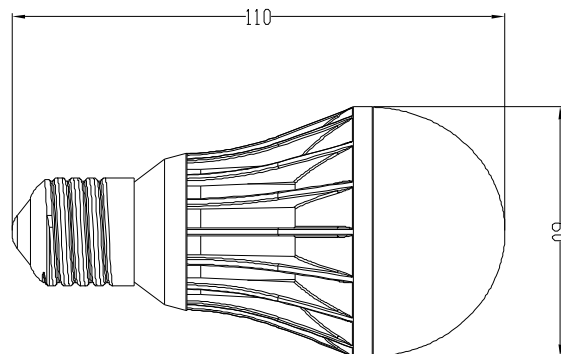
## Specifications

Power Consumption	: 6 Watts	Incandescent Equivalent	: 40 W
Efficacy (lm/watt)	: 83	Base	: E26 (Standard)
Lumens	: 500 lm	Rated Life*	: 25,000 Hours
Color Temperature	: 3000 K	Input Voltage (AC)	: 100 ~ 240V
Beam Angle (Degree)	: 180 °	Dimension (mm)	: 110 x 60 mm
Color Accuracy (CRI)	: Ra > 70	Product Weight	: 3 oz/ 85 g
Power Factor	: PF > 0.6	Certifications	: CE, RoHS

\*: based on up to 3 hours average usage per day

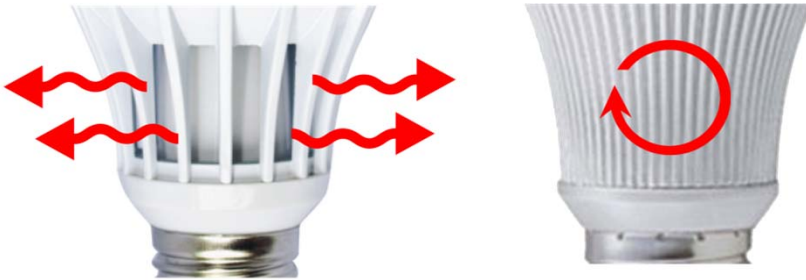
## Environmental Requirements

Operating Temperature	: -20°C to +40°C
Storage Temperature	: -40°C to +55°C
Installation Area	: Indoor or Enclosed Outdoor (Residential/ Commercial)



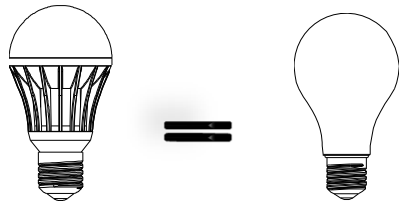
Dimensions: mm

## Heat Dissipation Design



Open-to-air cooling system expels heat faster than regular LED close type designs to optimize its performance and lifespan.

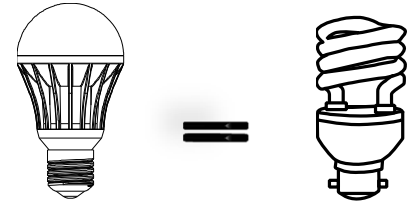
## Energy Use Comparisons



6 Watts

40 Watts

85% energy savings over incandescent bulb



6 Watts

12 Watts

50% energy savings over CFL bulb

## Annual Cost Savings Calculations

No. of Year	Incandescent 40 Watts	LED 6 Watts	Annual Savings
Year 1	\$8.76	\$1.31	\$7.45
Year 2	\$17.52	\$2.63	\$14.89
Year 3	\$26.28	\$3.94	\$22.34

Calculations are based on 4 hours use per day; \$0.15 per kWh rate