

High Efficient 6W LED Lamp

Model No: LB-A1906W3K0114-H1

Model No: LB-A1906W5K0114-H1



Features & Benefits

- > High efficient solid-state LED light source
- > 85% energy saving over 40W incandescent
- > 260° wide beam angle
- > Very low heat generation
- > Aluminum heat sink core
- > Long lifespan and lower maintenance cost
- > Instant-on & no warm-up time
- > No humming noise
- > No Ultraviolet and infrared (IR)
- > Mercury free; Eco-friendly

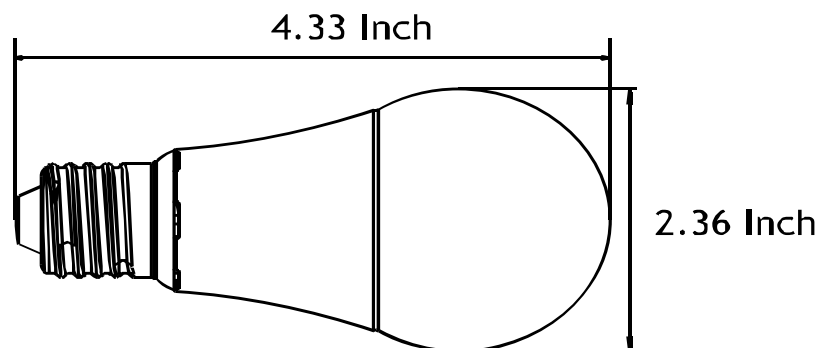
Specifications

Power Consumption	: 6 Watts	Incandescent Equivalent	: 40 W
Efficacy (lm/watt)	: 78 (WW)/ 87(DL)	Base	: E26 (Standard)
Lumens / Color Temp (WW)	: 470lm at 2700K	Rated Life*	: 25,000 Hours
Lumens / Color Temp (DL)	: 520lm at 5000K	Input Voltage (AC)	: 85 ~ 135V
Beam Angle (Degree)	: 260 °	Dimension (in./mm)	: 4.3" x 2.3"/ 110 x 60 mm
Power Factor	: PF > 0.9	Product Weight	: 2.2 oz./ 62g
Color Accuracy (CRI)	: Ra > 80	Certification	: CE, RoHS

*: based on up to 3 hours average usage per day

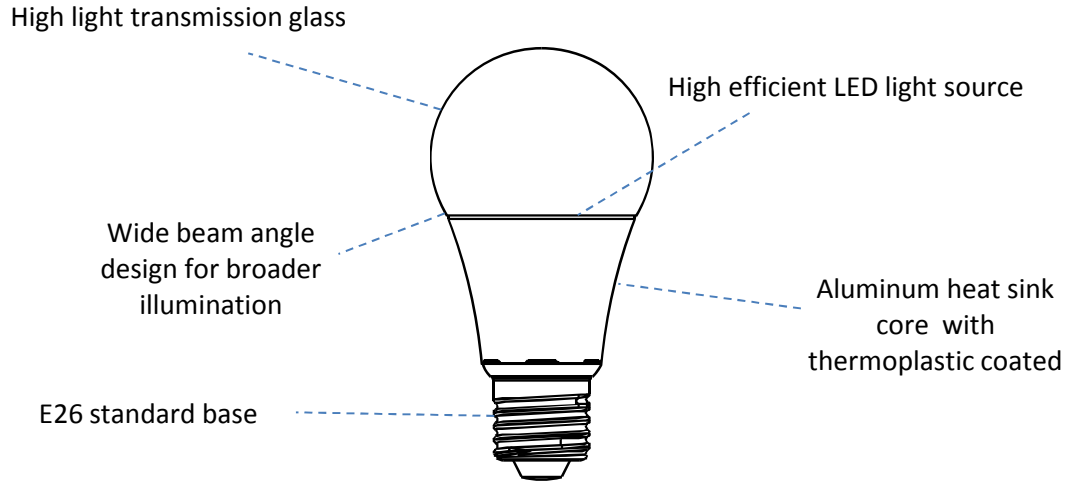
Environmental Requirements

Operating Temperature	: -20°C to +40°C
Storage Temperature	: -40°C to +55°C
Installation Area	: Indoor, Outdoor (Residential, Commercial, etc)

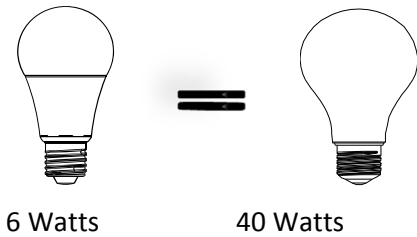


Dimensions

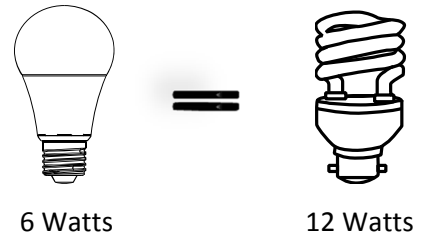
Structure Diagram



Energy Use Comparisons



85% energy savings over incandescent bulb



50% energy savings over CFL bulb

Annual Cost Savings Calculations

No. of Year	Incandescent 40 Watts	LED 6 Watts	Annual Savings
Year 1	\$8.76	\$1.31	\$7.45
Year 2	\$17.52	\$2.63	\$14.89
Year 3	\$26.28	\$3.94	\$22.34

Calculations are based on 4 hours use per day; \$0.15 per kWh rate